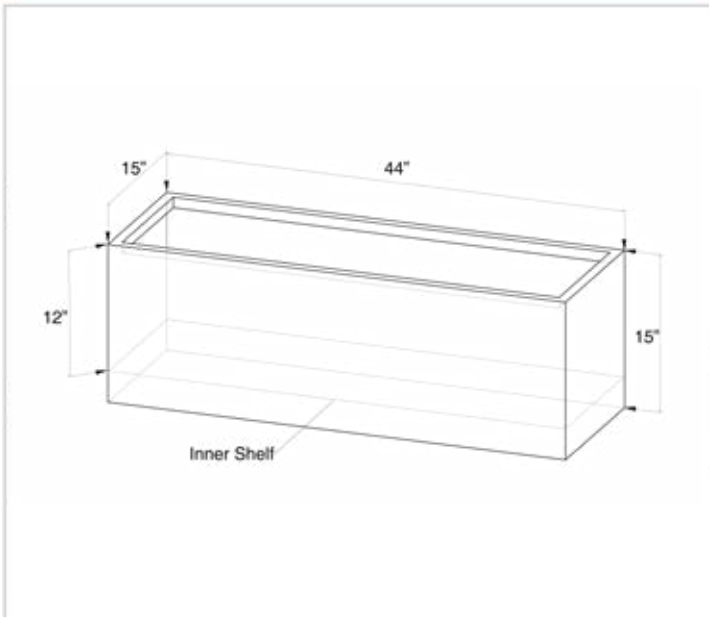


Box Large

Item # PLG -B44
15" x 44" x 15"

Final Model #		
Project		
Type	Area	

UPC #:



FULL PRODUCT DESCRIPTION

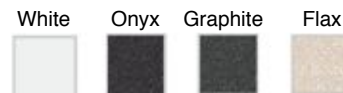
Galvanneal steel offers an ideal surface for painting. Its zinc iron alloyed coating combined with a durable powder coating offers superior performance with excellent longevity. This anti-corrosive steel is designed so oxidation cannot occur. These Planters are perfect for an Entrance, Border, Porch, Poolside, or Balcony. Suitable for indoor or outdoor applications.

KEY BULLET POINTS

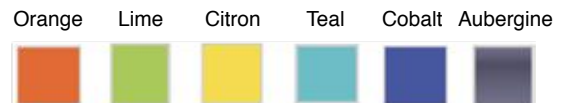
- Commercial Grade Planter
- Zinc Coated Galvanneal 18 Gauge Steel Produced in USA
- 1 mm Wall Thickness
- Hand Dressed Full Seam Welds
- Fixed Interior Shelf With 3 Drain Holes
- 3 Drain Hole Base
- 5-Year Structural Warranty, 3-year Finish Warranty

COLOR OPTIONS

Textured



Vibrant



PRODUCT DETAILS

H 15"(38cm)
W 44"(112cm)
D 15"(38cm)
WT 37 lbs (17kg)

